



Sound-insulated fans

Iso-K

Air capacity – up to 3500 m³/h

Use

- Hot and highly polluted air extract up to 100 °C in high resistance condition.
- Extract systems installed in kitchens of various types.
- Ventilation for baking halls.
- Welding gas extract.
- The fans is available for round air ducts Ø 150, 160, 200 and 315 mm.

Design

- Galvanized steel casing internally filled with 50 mm thermal- and sound-insulating layer made of non-flammable mineral wool.
- The fan casing is installed on a supporting mounting frame with integrated vibration isolators.
- The swivel motor-impeller block is attached to the swivel door which facilitates the fan servicing.

Motor

- Single- or three-speed motor with with short circuit rotor and centrifugal impeller with forward curved blades.
- Galvanized steel impeller.
- Equipped with ball bearings for longer service life.
- Dynamically balanced turbine.

- F class motor winding insulation and IP54 ingress protection rating.
- Overheating protection by built-in thermal switches with leads for connection to external protection devices.

Operation and speed control

- Smooth or step-up speed control with an auto transformer or frequency inverter. Both available upon separate order).

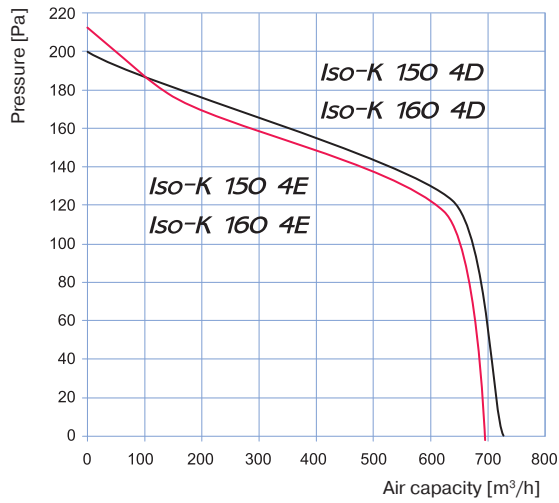
Mounting

- Compatible with round air ducts. The spigot diameter matches the standard air duct sizes.
- Mounting to the wall with the mounting angle bracket **KS-ISK**. Available upon separate order.
- External terminal box on the motor for connection to power mains.

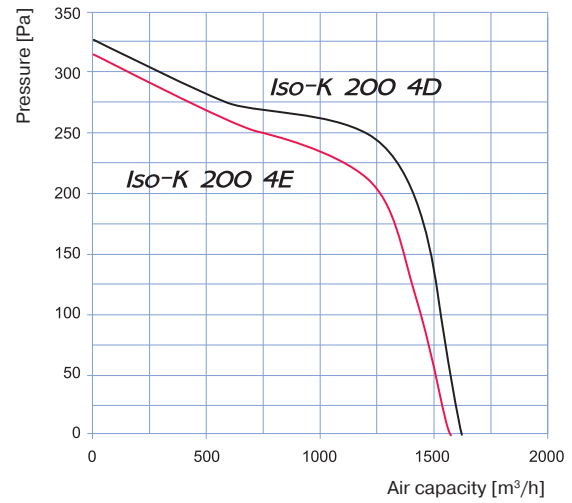
Specifications

Parameters	Iso-K 150 4E / Iso-K 160 4E	Iso-K 150 4D / Iso-K 160 4D	Iso-K 200 4E	Iso-K 200 4D	Iso-K 250 4E	Iso-K 250 4D
Voltage [V / 50 Hz]	1 ~ 230	3 ~ 380	1 ~ 230	3 ~ 380	1 ~ 230	3 ~ 380
Power [W]	180	180	550	750	1500	1500
Current [A]	1.7	0.6	3	2	11	3.4
Maximum air capacity [m ³ /h]	700	730	1600	1650	3400	3500
RPM [min ⁻¹]	1450	1455	1475	1465	1500	1470
Sound pressure level at 3 m distance [dBA]	41	41	45	45	51	51
Max. operating temperature [°C]	-20...+100	-20...+100	-20...+100	-20...+100	-20...+100	-20...+100
Ingress protection rating	IP54	IP54	IP54	IP54	IP54	IP54

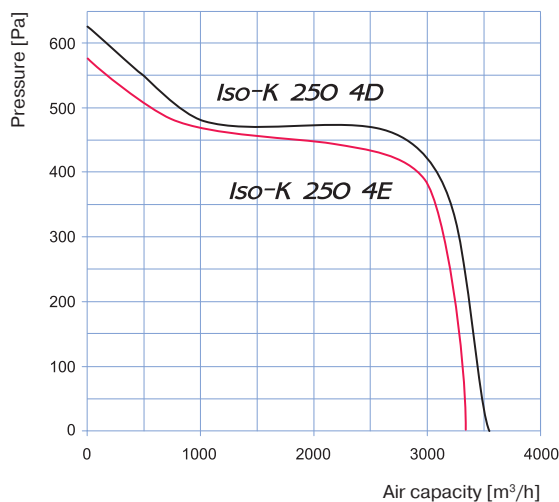
Specifications



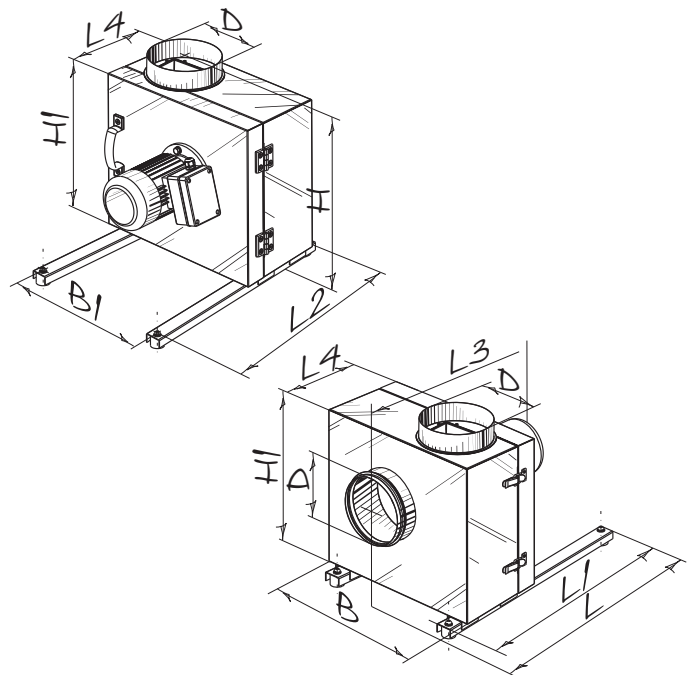
Sound-power level	Octave-frequency band [Hz]								
	Gen	63	125	250	500	1000	2000	4000	8000
Iso-K 150 4E / Iso-K 160 4E, Iso-K 150 4D / Iso-K 160 4D									
L_{WA} to inlet, [dBA]	76	68	70	72	62	59	63	57	61
L_{WA} to outlet, [dBA]	77	73	77	79	70	66	67	60	53
L_{WA} to environment, [dBA]	57	51	56	57	50	49	48	40	33



Sound-power level	Octave-frequency band [Hz]								
	Gen	63	125	250	500	1000	2000	4000	8000
Iso-K 200 4E, Iso-K 200 4D									
L_{WA} to inlet, [dBA]	79	71	75	75	66	62	65	58	64
L_{WA} to outlet, [dBA]	82	78	78	81	74	68	69	64	56
L_{WA} to environment, [dBA]	59	53	60	58	54	50	51	42	36



Sound-power level	Octave-frequency band [Hz]								
	Gen	63	125	250	500	1000	2000	4000	8000
Iso-K 250 4E, Iso-K 250 4D									
L_{WA} to inlet, [dBA]	82	75	79	80	71	65	68	63	65
L_{WA} to outlet, [dBA]	85	79	80	82	79	71	70	65	61
L_{WA} to environment, [dBA]	63	55	63	61	57	53	53	45	41



Overall dimensions

Type	Dimensions [mm]										Weight [kg]
	øD	B	B1	H	H1	L	L1	L2	L3	L4	
Iso-K 150 4E	150	410	330	540	365	525	500	470	475	205	17.0
Iso-K 150 4D	150	410	330	540	365	525	500	470	475	205	17.0
Iso-K 160 4E	160	410	330	540	365	525	500	470	475	205	17.0
Iso-K 160 4D	160	410	330	540	365	525	500	470	475	205	17.0
Iso-K 200 4E	200	485	365	600	425	625	600	570	515	235	25.0
Iso-K 200 4D	200	485	365	600	425	625	600	570	515	235	25.0
Iso-K 250 4E	250	575	435	665	505	700	675	645	620	285	40.0
Iso-K 250 4D	250	575	435	665	505	700	675	645	620	285	40.0