

4 - Way Cassette Type

MMU-AP0074HPUL

MMU-AP0094HPUL

MMU-AP0124HPUL

MMU-AP0154HPUL

MMU-AP0184HPUL

MMU-AP0244HPUL

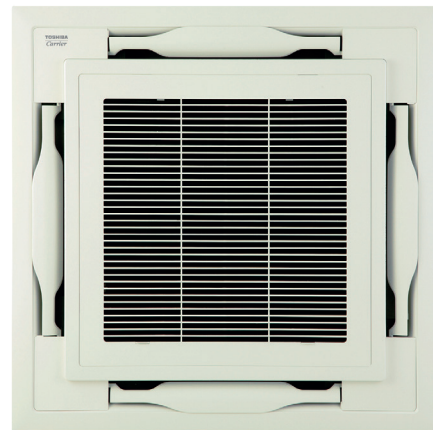
MMU-AP0304HPUL

MMU-AP0364HPUL

MMU-AP0424HPUL

MMU-AP0484HPUL

MMU-AP0544HPUL



Contents

1. Specifications
2. Dimensions
3. Center of gravity
4. Piping diagram
5. Wiring diagram
6. Electrical current characteristics
7. Sensible capacity table
8. Air throw distance chart
9. Sound data
10. Accessories

1. Specifications

Model name		MMU-	AP0074HPUL	AP0094HPUL	AP0124HPUL	AP0154HPUL	AP0184HPUL
Power supply		1 ph 60Hz 230V (208 / 230V)					
Cooling capacity (*1)		kBtu/h	7.5	9.5	12.0	15.4	18.0
Sensible cooling capacity		kBtu/h	5.8	7.1	8.6	12.0	12.8
Heating capacity (*1)		kBtu/h	8.5	10.5	13.5	17.0	20.0
Power consumption		(kW)	0.021	0.021	0.023	0.026	0.026
FCU dimension	Main unit	Height (in)	10.1	10.1	10.1	10.1	10.1
		Width (in)	33.1	33.1	33.1	33.1	33.1
		Depth (in)	33.1	33.1	33.1	33.1	33.1
Total weight	Main unit	(lbs)	45	45	45	51	51
Heat exchanger		Finned tube					
Soundproof / Heat-insulation material		Polyethylene foam					
Fan		Turbo fan					
Air flow volume	Indoor unit (H/M/L)	(cfm)	470 / 430 / 400	470 / 430 / 400	550 / 490 / 460	550 / 480 / 440	550 / 480 / 440
Sound pressure	Indoor unit (H/M/L)	dB(A)	32.5 / 30.5 / 29	32.5 / 30.5 / 29	34 / 31.5 / 29.5	35 / 33 / 31	35 / 33 / 31
Motor output		(W)	60	60	60	60	60
Flare Connections	Gas side	(in)	3/8	3/8	3/8	1/2	1/2
	Liquid side	(in)	1/4	1/4	1/4	1/4	1/4
	Drain pipe	(in)	VP25 (Polyvinyl Chloride Tube: External Dia. 1-1/4 Internal Dia. 1)				
Operating Range for SMMS-I, SMMS-e	Cooling	(°F)	41 ~ 109				
	Heating	(°F)	14 ~ 109				

(*1) Rated testing conditions Cooling : Indoor air temperature 80°F Dry Bulb / 67°F Wet Bulb, Outdoor 95°F Dry Bulb

Heating : Indoor air temperature 70°F Dry Bulb, Outdoor 47°F Dry Bulb / 43°F Wet Bulb

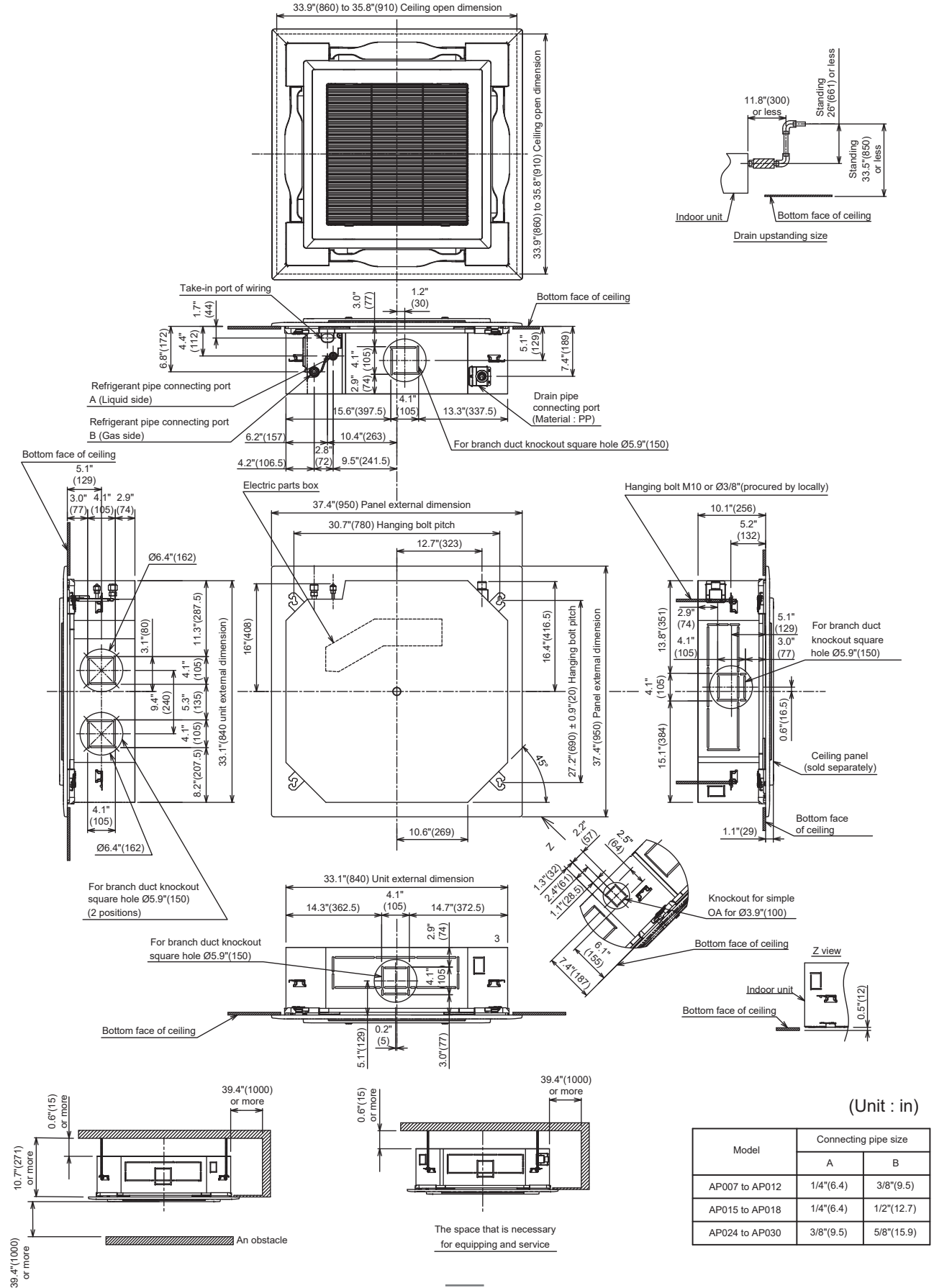
Model name		MMU-	AP0244HPUL	AP0304HPUL	AP0364HPUL	AP0424HPUL	AP0484HPUL	AP0544HPUL
Power supply		1 ph 60Hz 230V (208 / 230V)						
Cooling capacity (*1)		kBtu/h	24.0	30.0	36.0	42.0	48.0	54.0
Sensible cooling capacity		kBtu/h	16.5	20.6	24.7	29.4	33.6	37.8
Heating capacity (*1)		kBtu/h	27.0	34.0	40.0	47.5	54.0	60.0
Power consumption		(kW)	0.036	0.043	0.088	0.112	0.112	0.112
FCU dimension	Main unit	Height (in)	10.1	10.1	12.6	12.6	12.6	12.6
		Width (in)	33.1	33.1	33.1	33.1	33.1	33.1
		Depth (in)	33.1	33.1	33.1	33.1	33.1	33.1
Total weight	Main unit	(lbs)	51	51	60	60	60	60
Heat exchangere		Finned tube						
Soundproof / Heat-insulation material		Polyethylene foam						
Fan		Turbo fan						
Air flow volume	Indoor unit (H/M/L)	(cfm)	670 / 540 / 490	730 / 630 / 510	1160 / 840 / 630	1250 / 840 / 670	1250 / 840 / 670	1250 / 890 / 720
Sound pressure	Indoor unit (H/M/L)	dB(A)	38 / 33 / 31	41 / 36.5 / 34	46 / 40.5 / 36.5	48.5 / 40.5 / 37.5	48.5 / 40.5 / 37.5	48.5 / 40.5 / 37.5
Motor output		(W)	60	60	150	150	150	150
Flare Connections	Gas side	(in)	5/8	5/8	5/8	5/8	5/8	5/8
	Liquid side	(in)	3/8	3/8	3/8	3/8	3/8	3/8
	Drain pipe	(in)	VP25 (Polyvinyl Chloride Tube: External Dia. 1-1/4 Internal Dia. 1)					
Operating Range for SMMS-I, SMMS-e	Cooling	(°F)	41 ~ 109					
	Heating	(°F)	14 ~ 109					

(*1) Rated testing conditions Cooling : Indoor air temperature 80°F Dry Bulb / 67°F Wet Bulb, Outdoor 95°F Dry Bulb

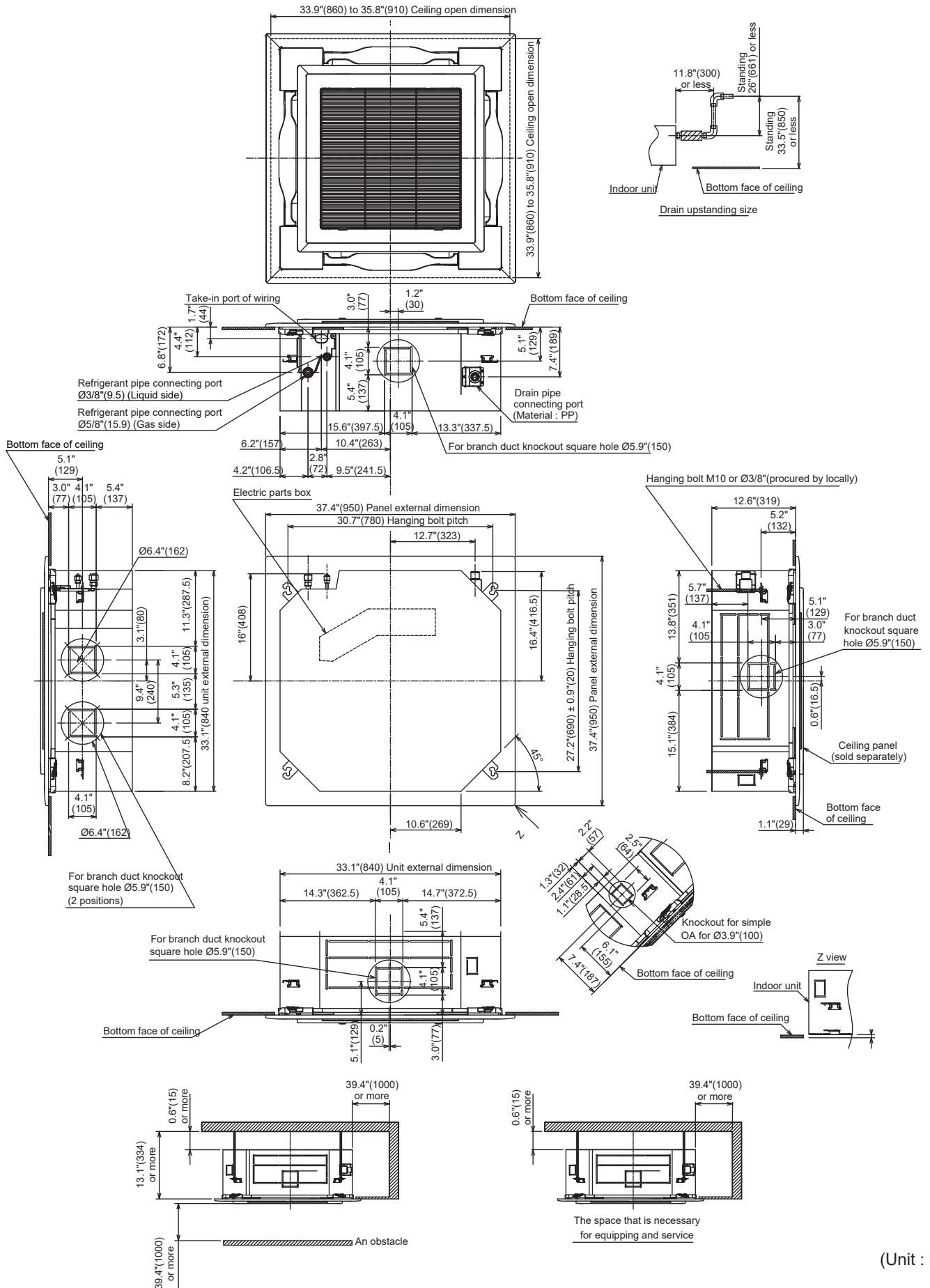
Heating : Indoor air temperature 70°F Dry Bulb, Outdoor 47°F Dry Bulb / 43°F Wet Bulb

2. Dimension

MMU-AP0074HPUL / AP0094HPUL / AP0124HPUL / AP0154HPUL / AP0184HPUL / AP0244HPUL / AP0304HPUL

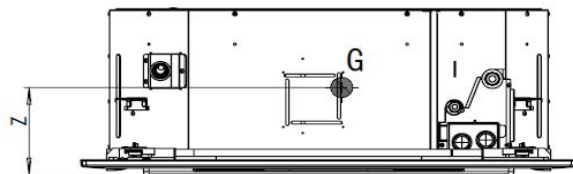
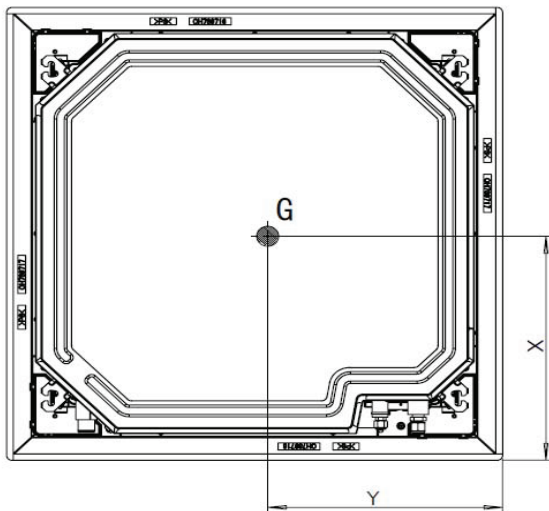


MMU-AP0364HPUL / AP0424HPUL / AP0484HPUL / AP0544HPUL



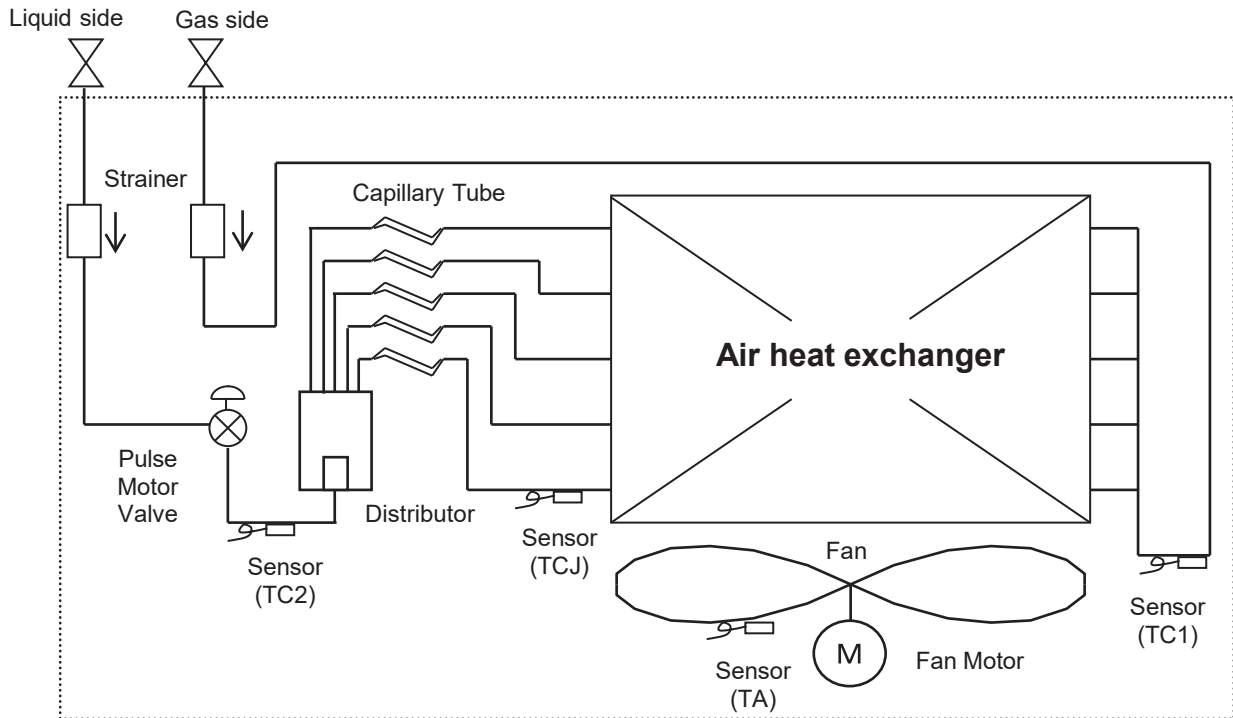
3. Center of gravity

Model name	X (in)	Y (in)	Z (in)	Total weight	
				Main unit (lbs)	Ceiling panel (lbs)
MMU-AP0074HPUL	18.5	17.9	6.1	45	8.8
MMU-AP0094HPUL					
MMU-AP0124HPUL					
MMU-AP0154HPUL	18.5	17.9	6.1	51	
MMU-AP0184HPUL					
MMU-AP0244HPUL					
MMU-AP0304HPUL					
MMU-AP0364HPUL	18.5	17.7	7.2	60	
MMU-AP0424HPUL					
MMU-AP0484HPUL					
MMU-AP0544HPUL					



4. Piping diagram

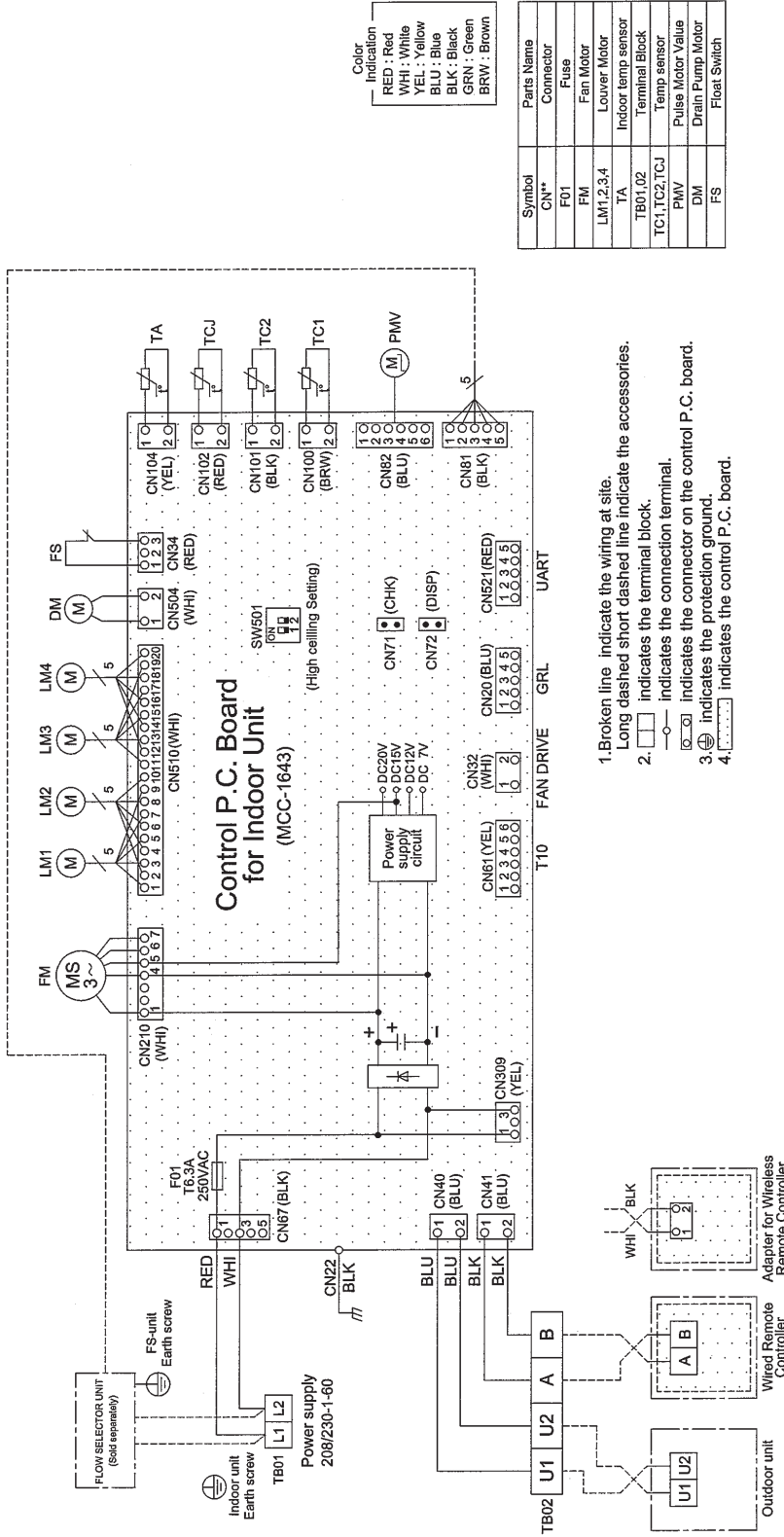
MMU-AP0__*4HPUL (*07 / 09 / 12 / 15 / 18 / 24 / 30 / 36 / 42 / 48 / 54)



Functional part name		Functional outline
Pulse Motor Valve	PMV	(Connector CN082 (6P): Blue) 1) Controls super heat in cooling operation 2) Controls under cool in heating operation 3) Recovers refrigerant oil in cooling operation 4) Recovers refrigerant oil in heating operation
Temp. sensor	1. TA	(Connector CN104 (2P): Yellow) 1) Detects indoor suction temperature
	2. TC1	(Connector CN100 (3P): Brown) 1) Controls PMV super heat in cooling operation
	3. TC2	(Connector CN101 (2P): Black) 1) Controls PMV under cool in heating operation
	4. TCJ	(Connector CN102 (2P): Red) 1) Controls PMV super heat in cooling operation

5. Wiring diagram

MMU-AP0__*4HPUL (*07 / 09 / 12 / 15 / 18 / 24 / 30 / 36 / 42 / 48 / 54)



Color Indication

RED	: Red
WHI	: White
YEL	: Yellow
BLU	: Blue
BLK	: Black
GRN	: Green
BRW	: Brown

Symbol	Parts Name
CN**	Connector
F01	Fuse
FM	Fan Motor
LM1,2,3,4	Louver Motor
TA	Indoor temp sensor
TB01,02	Terminal Block
TC1,TC2,TC3	Temp sensor
PMV	Pulse Motor Value
DM	Drain Pump Motor
FS	Float Switch

1. Broken line indicate the wiring at site.
Long dashed short dashed line indicate the accessories.
2. indicates the terminal block.
3. indicates the connector on the control P.C. board.
4. indicates the protection ground.

6. Electrical current characteristic

Indoor unit power supply

Type	Model name	Normal Voltage (V-Ph-Hz)	Voltage Range (V)		FLA	MCA	MOCP
			Min.	Max.	A	A	A
4-Way Cassette Type	MMU-AP0074HPUL	208/230-1-60	187	253	0.63	0.79	15
	MMU-AP0094HPUL	208/230-1-60	187	253	0.63	0.79	15
	MMU-AP0124HPUL	208/230-1-60	187	253	0.63	0.79	15
	MMU-AP0154HPUL	208/230-1-60	187	253	0.80	1.00	15
	MMU-AP0184HPUL	208/230-1-60	187	253	0.80	1.00	15
	MMU-AP0244HPUL	208/230-1-60	187	253	0.87	1.09	15
	MMU-AP0304HPUL	208/230-1-60	187	253	0.87	1.09	15
	MMU-AP0364HPUL	208/230-1-60	187	253	1.15	1.44	15
	MMU-AP0424HPUL	208/230-1-60	187	253	1.15	1.44	15
	MMU-AP0484HPUL	208/230-1-60	187	253	1.15	1.44	15
	MMU-AP0544HPUL	208/230-1-60	187	253	1.15	1.44	15

MCA : Minimum Circuit (Amps)

FLA : Full load (Amps)

MOCP : Maximum Overcurrent Protection (Amps)

4 way cassette Type (MMU-AP***4HPUL)

unit size	outdoor air temp. °FDB	Indoor air temp.													
		59 °FDB		61 °FDB		64 °FDB		67 °FDB		68 °FDB		72 °FDB		75 °FDB	
		TC	SHC	TC	SHC	TC	SHC	TC	SHC	TC	SHC	TC	SHC	TC	SHC
042	50	35750	26660	37400	27380	39770	28500	42000	29400	42720	29480	45420	29100	47290	28020
	54	35750	26660	37400	27380	39770	28500	42000	29400	42720	29480	45420	29100	47290	28020
	57	35750	26660	37400	27380	39770	28500	42000	29400	42720	29480	45420	29100	47290	28020
	61	35750	26660	37400	27380	39770	28500	42000	29400	42720	29480	45420	29100	47290	28020
	64	35750	26660	37400	27380	39770	28500	42000	29400	42720	29480	45420	29100	47290	28020
	68	35750	26660	37400	27380	39770	28500	42000	29400	42720	29480	45420	29100	47290	28020
	70	35750	26660	37400	27380	39770	28500	42000	29400	42720	29480	45420	29100	47290	28020
	73	35750	26660	37400	27380	39770	28500	42000	29400	42720	29480	45420	29100	47290	28020
	77	35750	26660	37400	27380	39770	28500	42000	29400	42720	29480	45420	29100	47290	28020
	81	35750	26660	37400	27380	39770	28500	42000	29400	42720	29480	45420	29100	47290	28020
	84	35750	26660	37400	27380	39770	28500	42000	29400	42720	29480	45420	29100	47290	28020
	88	35750	26660	37400	27380	39770	28500	42000	29400	42720	29480	45420	29100	47290	28020
	91	35750	26660	37400	27380	39770	28500	42000	29400	42720	29480	45420	29100	47290	28020
95	35750	26660	37400	27380	39770	28500	42000	29400	42720	29480	45420	29100	47290	28020	
99	34710	25890	36320	26590	38620	27670	40780	28550	41480	28630	44100	28260	45920	27210	
102	33890	25270	35460	25960	37700	27020	39820	27870	40500	27950	43060	27590	44830	26560	
048	50	40850	30460	42740	31290	45450	32580	48000	33600	48820	33690	51910	33260	54050	32020
	54	40850	30460	42740	31290	45450	32580	48000	33600	48820	33690	51910	33260	54050	32020
	57	40850	30460	42740	31290	45450	32580	48000	33600	48820	33690	51910	33260	54050	32020
	61	40850	30460	42740	31290	45450	32580	48000	33600	48820	33690	51910	33260	54050	32020
	64	40850	30460	42740	31290	45450	32580	48000	33600	48820	33690	51910	33260	54050	32020
	68	40850	30460	42740	31290	45450	32580	48000	33600	48820	33690	51910	33260	54050	32020
	70	40850	30460	42740	31290	45450	32580	48000	33600	48820	33690	51910	33260	54050	32020
	73	40850	30460	42740	31290	45450	32580	48000	33600	48820	33690	51910	33260	54050	32020
	77	40850	30460	42740	31290	45450	32580	48000	33600	48820	33690	51910	33260	54050	32020
	81	40850	30460	42740	31290	45450	32580	48000	33600	48820	33690	51910	33260	54050	32020
	84	40850	30460	42740	31290	45450	32580	48000	33600	48820	33690	51910	33260	54050	32020
	88	40850	30460	42740	31290	45450	32580	48000	33600	48820	33690	51910	33260	54050	32020
	91	40850	30460	42740	31290	45450	32580	48000	33600	48820	33690	51910	33260	54050	32020
95	40850	30460	42740	31290	45450	32580	48000	33600	48820	33690	51910	33260	54050	32020	
99	39670	29580	41500	30380	44130	31640	46610	32630	47400	32710	50400	32300	52480	31090	
102	38730	28880	40520	29660	43090	30890	45500	31850	46280	31940	49210	31530	51240	30350	
054	50	45960	34270	48090	35210	51130	36650	54000	37800	54920	37900	58400	37420	60800	36020
	54	45960	34270	48090	35210	51130	36650	54000	37800	54920	37900	58400	37420	60800	36020
	57	45960	34270	48090	35210	51130	36650	54000	37800	54920	37900	58400	37420	60800	36020
	61	45960	34270	48090	35210	51130	36650	54000	37800	54920	37900	58400	37420	60800	36020
	64	45960	34270	48090	35210	51130	36650	54000	37800	54920	37900	58400	37420	60800	36020
	68	45960	34270	48090	35210	51130	36650	54000	37800	54920	37900	58400	37420	60800	36020
	70	45960	34270	48090	35210	51130	36650	54000	37800	54920	37900	58400	37420	60800	36020
	73	45960	34270	48090	35210	51130	36650	54000	37800	54920	37900	58400	37420	60800	36020
	77	45960	34270	48090	35210	51130	36650	54000	37800	54920	37900	58400	37420	60800	36020
	81	45960	34270	48090	35210	51130	36650	54000	37800	54920	37900	58400	37420	60800	36020
	84	45960	34270	48090	35210	51130	36650	54000	37800	54920	37900	58400	37420	60800	36020
	88	45960	34270	48090	35210	51130	36650	54000	37800	54920	37900	58400	37420	60800	36020
	91	45960	34270	48090	35210	51130	36650	54000	37800	54920	37900	58400	37420	60800	36020
95	45960	34270	48090	35210	51130	36650	54000	37800	54920	37900	58400	37420	60800	36020	
99	44630	33280	46700	34190	49650	35590	52430	36700	53330	36800	56710	36330	59040	34980	
102	43570	32490	45590	33380	48470	34740	51190	35830	52060	35930	55360	35470	57640	34150	

TC: Total Capacity [Btu/h]

SHC: Sensible Heat Capacity [Btu/h]

Heating capacity table

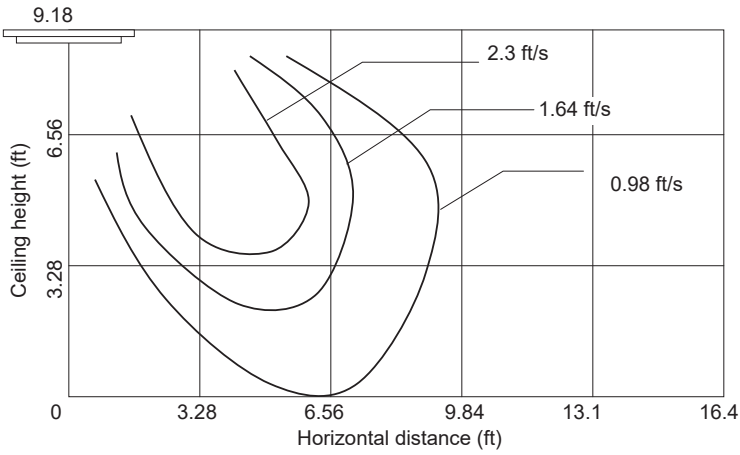
	Indoor air temp. °FDB					
Fahrenheit (°F)	62	65	68	70	72	75
Celsius (°C)	16.7	18.3	20	21.1	22.2	23.9
	Total capacity (TC) (kBtu/h)					
MMU-AP0074HPUL	8.9	8.8	8.6	8.5	8.4	8.2
MMU-AP0094HPUL	11.0	10.8	10.6	10.5	10.4	10.1
MMU-AP0124HPUL	14.1	13.9	13.7	13.5	13.3	13.0
MMU-AP0154HPUL	17.8	17.5	17.2	17.0	16.8	16.4
MMU-AP0184HPUL	20.9	20.6	20.2	20.0	19.7	19.3
MMU-AP0244HPUL	28.2	27.8	27.3	27.0	26.6	26.1
MMU-AP0304HPUL	35.5	35.0	34.4	34.0	33.6	32.9
MMU-AP0364HPUL	41.8	41.2	40.5	40.0	39.5	38.6
MMU-AP0424HPUL	49.6	48.9	48.1	47.5	46.9	45.9
MMU-AP0484HPUL	56.4	55.6	54.7	54.0	53.3	52.2
MMU-AP0544HPUL	62.7	61.8	60.7	60.0	59.2	58.0

Notes: 1. These capacity tables can be used when selecting a VRF indoor unit. The actual capacity of the VRF system depends on factors such as the selected model of outdoor units, outdoor air temperature and piping length. Please confirm that the corrected capacity of the VRF system satisfies the required heat load.

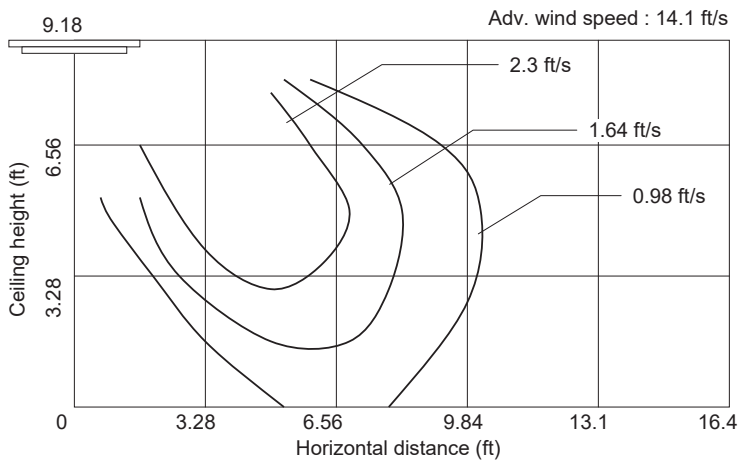
Notes: 2. This is the capacity table of rated heating test condition of Outdoor 47°F Dry Bulb / 43°F Wet Bulb.

8. Air flow distance chart

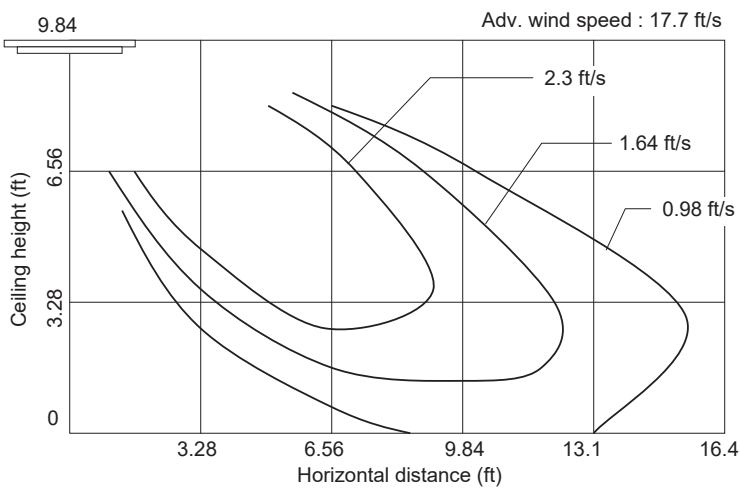
MMU-AP0074HPUL / AP0094HPUL



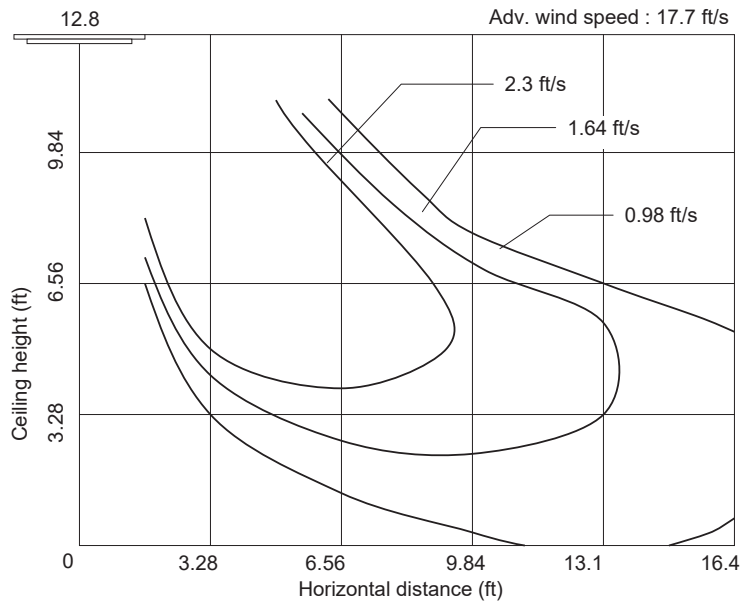
MMU-AP0124HPUL / AP0154HPUL / AP0184HPUL



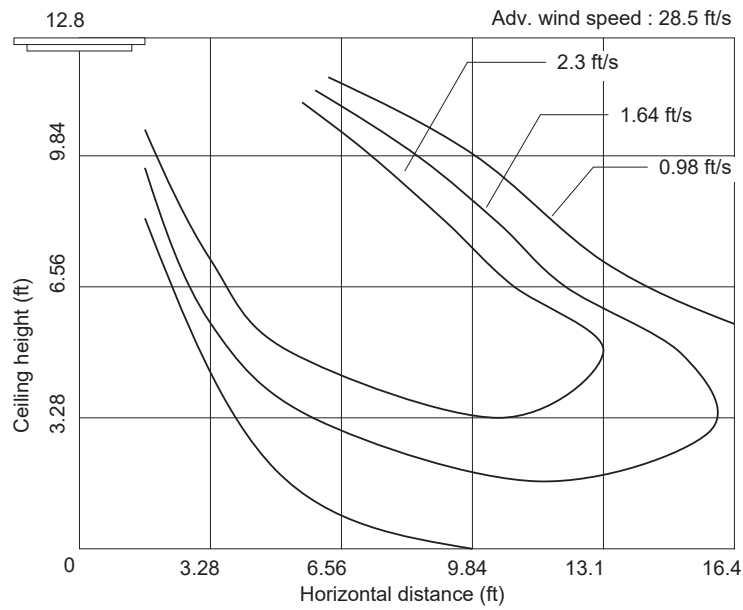
MMU-AP0244HPUL / AP0304HPUL



MMU-AP0364HPUL

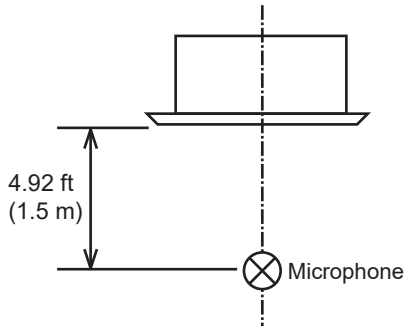


MMU-AP0424HPUL / AP0484HPUL / AP0544HPUL



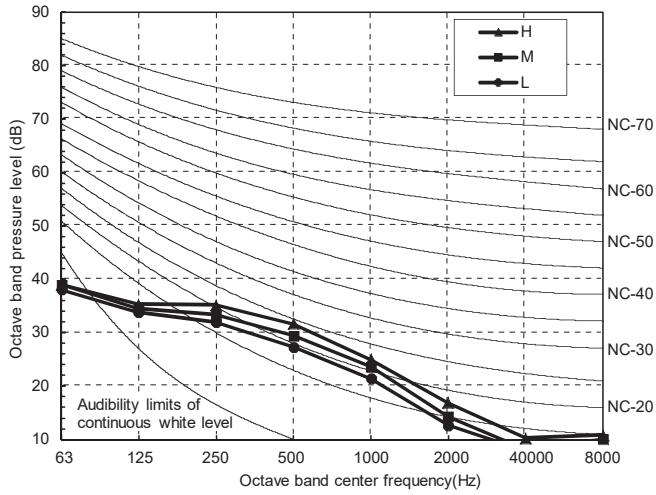
9. Sound data

Sound pressure spectrum



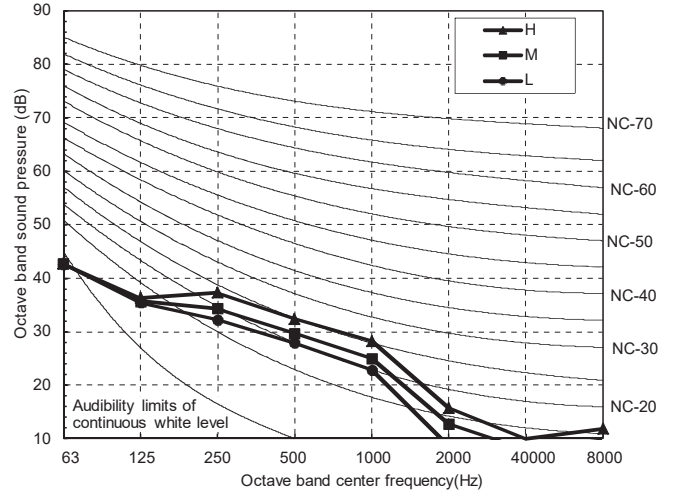
MMU-AP0074HPUL / AP0094HPUL

Sound pressure level (dB (A))	H - M - L
	32.5 - 30.5 - 29



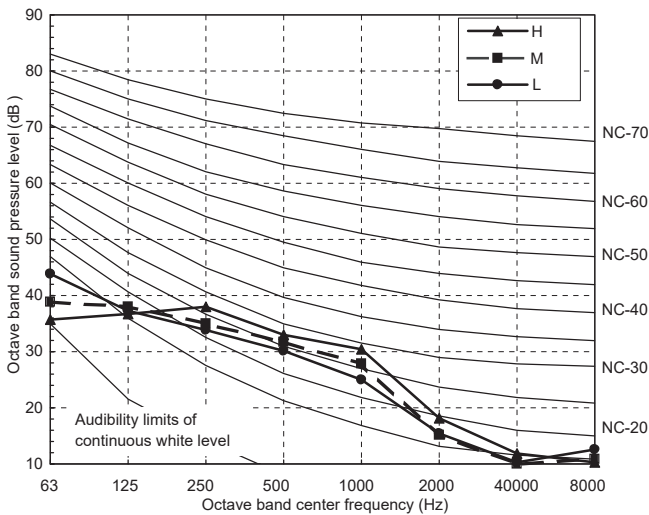
MMU-AP0124HPUL

Sound pressure level (dB (A))	H - M - L
	34 - 31.5 - 29.5



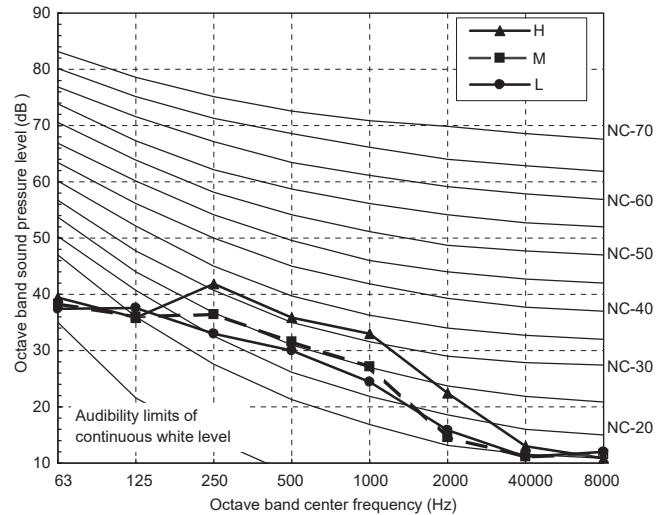
MMU-AP0154HPUL / AP0184HPUL

Sound pressure level (dB (A))	H - M - L
	35 - 33 - 31



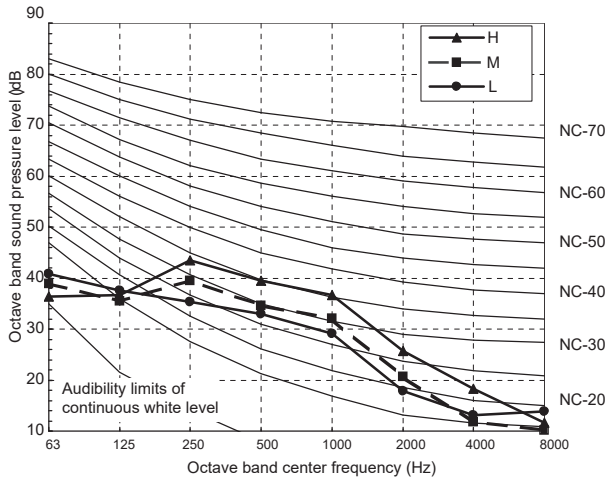
MMU-AP0244HPUL

Sound pressure level (dB (A))	H - M - L
	38 - 33 - 31



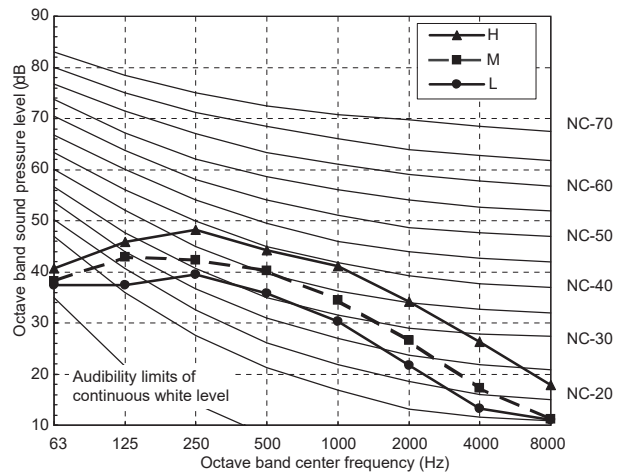
MMU-AP0304HPUL

Sound pressure level (dB (A))	H - M - L
	41 - 36.5 - 34



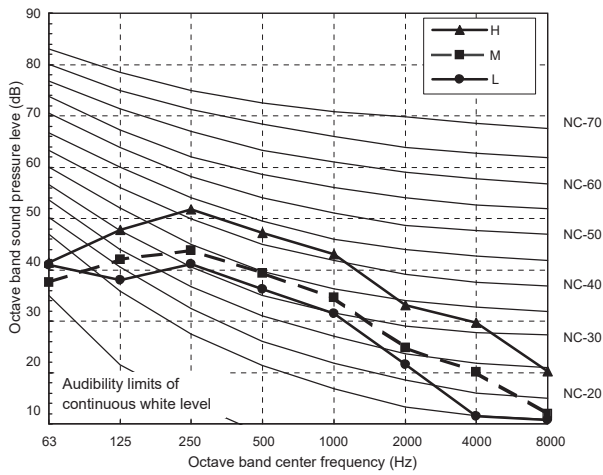
MMU-AP0364HPUL

Sound pressure level (dB (A))	H - M - L
	46 - 40.5 - 36.5



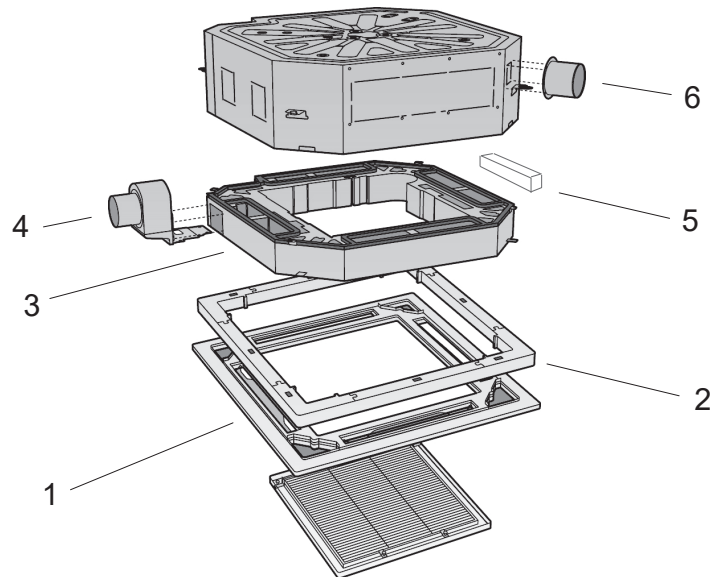
MMU-AP0424HPUL / AP0484HPUL / AP0544HPUL

Sound pressure level (dB (A))	H - M - L
	48.5 - 40.5 - 37.5



10. Accessories

Optional parts for 4-Way Cassette type



Optional parts list

No	Type	Model name	Qty/unit	Notes
1	Ceiling Panel	RBC-U32PGP-UL	1	White (2.5GY9.0/0.5)
2	Spacer for height adjustment	TCB-SP1602UUL	1	50 mm
3	Fresh-air chamber	TCB-GFC1602UUL	1	Use with TCB-GB1602UUL
4	Fresh-air inlet box	TCB-GB1602UUL	1	Connection=Dia.100 mm
5	Air-discharge direction kit	TCB-BC1602UUL	1	6-direction patterns
6	Auxiliary fresh air flange	TCB-FF101URUL	1	Connection=Dia.100 mm

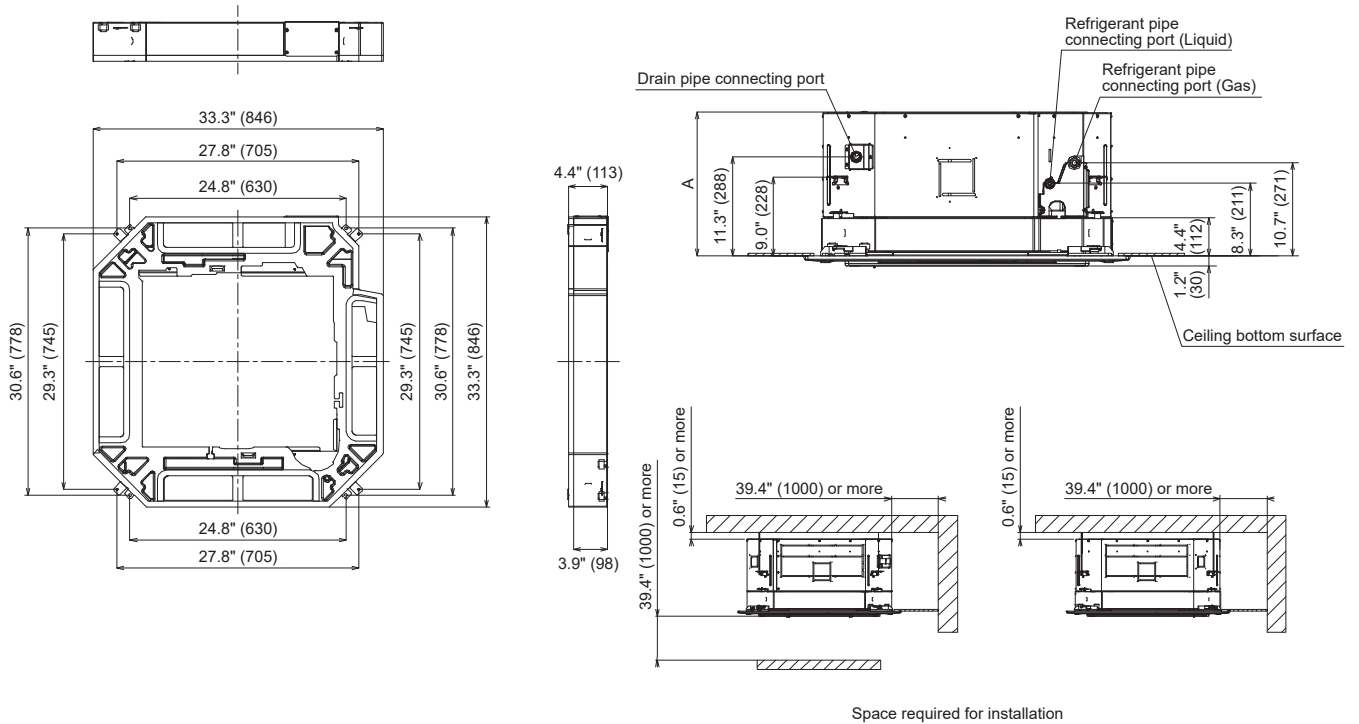
Combination pattern

			Ceiling Panel RBC-U32PGP-UL	Wireless remote control kit RBC-AX31(W)-UL	Spacer for height adjustment TCB-SP1602UUL	Fresh-air chamber TCB-GFC1602UUL	Fresh-air inlet box + Fresh-air chamber TCB-GB1602UUL + TCB-GFC1602UUL	Air-discharge direction kit TCB-BC1602UUL	Auxiliary fresh air flange TCB-FF101URUL
Panel	Ceiling Panel	RBC-U32PGP-UL	OK	OK	OK	OK	OK	OK	OK
	Wireless remote control kit	RBC-AX31(W)-UL	OK	OK	OK	OK	OK	OK	OK
Optional parts	Spacer for height adjustment	TCB-SP1602UUL	OK	OK	OK	—	OK	OK	OK
	Fresh-air chamber	TCB-GFC1602UUL	OK	OK	OK	—	OK	OK	OK
	Fresh-air inlet box + Fresh-air chamber	TCB-GB1602UUL + TCB-GFC1602UUL	OK	OK	—	—	OK	OK	OK
	Air-discharge direction kit	TCB-BC1602UUL	OK	OK	OK	OK	OK	OK	OK
	Auxiliary fresh air flange	TCB-FF101URUL	OK	OK	OK	OK	OK	OK	OK

Appendix

1. Fresh-air chamber (TCB-GFC1602UUL)

Unit: in (mm)



Space required for installation

	A
007 to 030 type	14.0" (356)
036 to 054 type	16.5" (419)

2. Fresh-air inlet box (TCB-GB1602UUL)

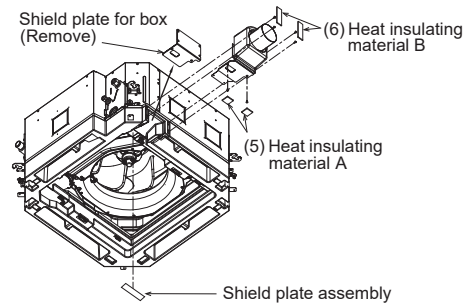
Accessories

(The following parts are included.)

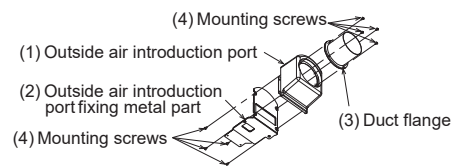
No.	Name	Qty	Remark
(1)	Outside air introduction port	1	
(2)	Outside air introduction port fixing metal part	1	
(3)	Duct flange Ø3.9" (100 mm)	1	
(4)	Mounting screws 0.16" × 0.4" (4 × 10 mm)	16	
(5)	Heat insulating material A	2	
(6)	Heat insulating material B	2	
(7)	Wind shield	1	
(8)	Installation manual	1	
(9)	Wire	1	

Installation

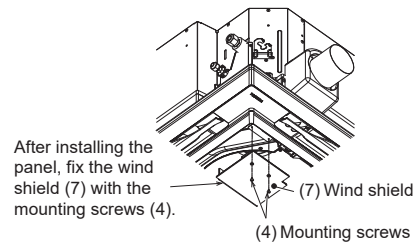
(Fig. 1)



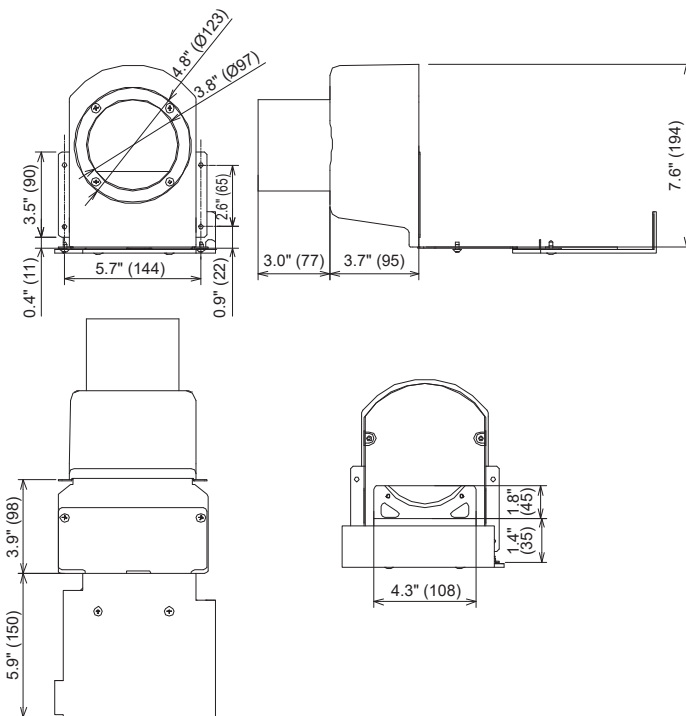
(Fig. 2)



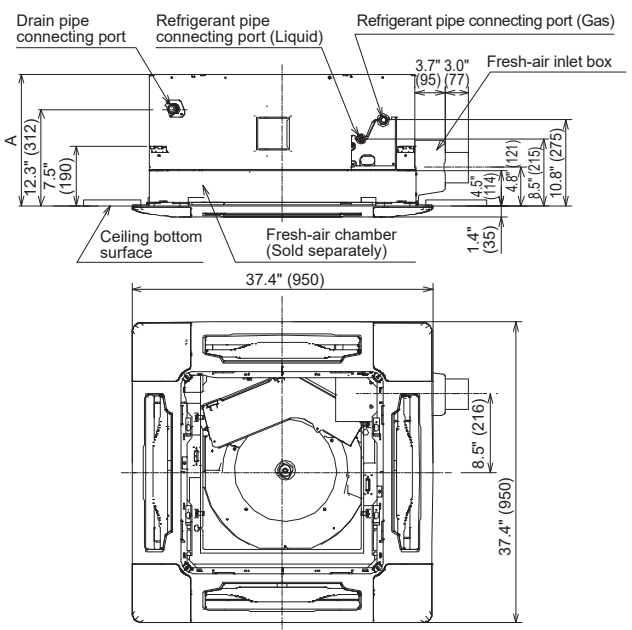
(Fig. 3)



Dimension



Unit: in (mm)



	A
007 to 030 type	14.1" (358)
036 to 054 type	16.6" (421)

NOTE

This inlet box shall be used with the fresh-air chamber.

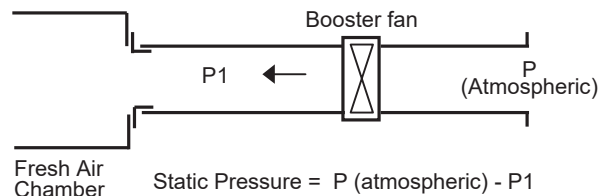
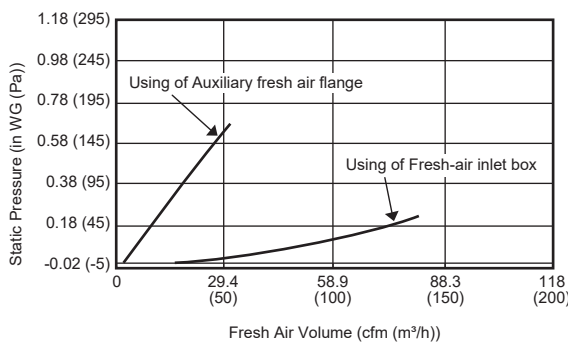
3. Fresh Air Intake

Usage

Fresh air is taken by using Fresh-air chamber and Fresh-air inlet box. And also is subsidiarily taken by using Auxiliary fresh air flange through the knock-out hole of the indoor unit body.

Caution

1. Be sure to provide air return.
2. The fresh air shall be treated by heat reclaim ventilator or the like.
3. Recommended treated air temperature is 54 °F to 86 °F.
4. Be sure to decide the fresh air volume so that mixed suction air with fresh air keep operating temperature. Provide an air filter in fresh air way to prevent sucking dust.
5. Be sure to insulate the fresh air duct.
In order to accelerate starting up in heating mode, implement pre-heating operation by cutting off Fresh Air Intake.
6. The operating sound might increase when fresh air intake.



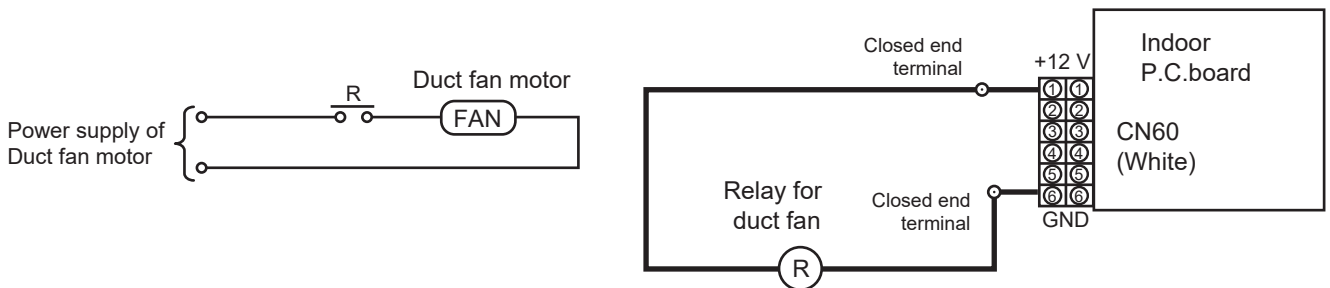
Characteristics between air volume of branching duct and static pressure

Following fresh air intake ratio is available by using the booster fan.

1. Fresh-air inlet box with Fresh-air chamber
Up to 88 cfm and 10% of rated air volume
2. Auxiliary fresh air flange through the knock-out hole of the indoor unit body
Up to 24 cfm

Inter - lock circuit

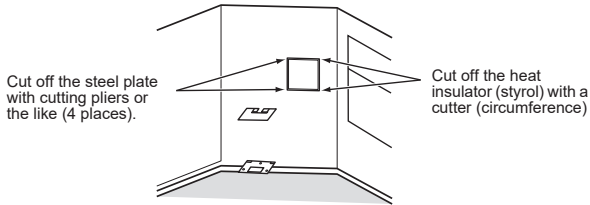
1. Connect the driving relay of the duct fan (DC 12 V) between 1 and 6 on the indoor P.C.board.
Part indicated with a bold line is the connecting circuit.
After installation, implement a test run to check that the duct fan of the indoor unit start / stop simultaneously.
(Implement the test run following to the installation manual of the indoor unit.)



4. Auxiliary fresh air flange (TCB-FF101URUL)

Installation

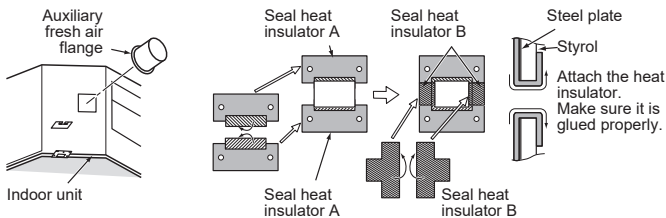
- Using the knockout of the indoor unit main body, as a marker, cut off the flange with the heat insulator (styrol) with cutting pliers or cutter.



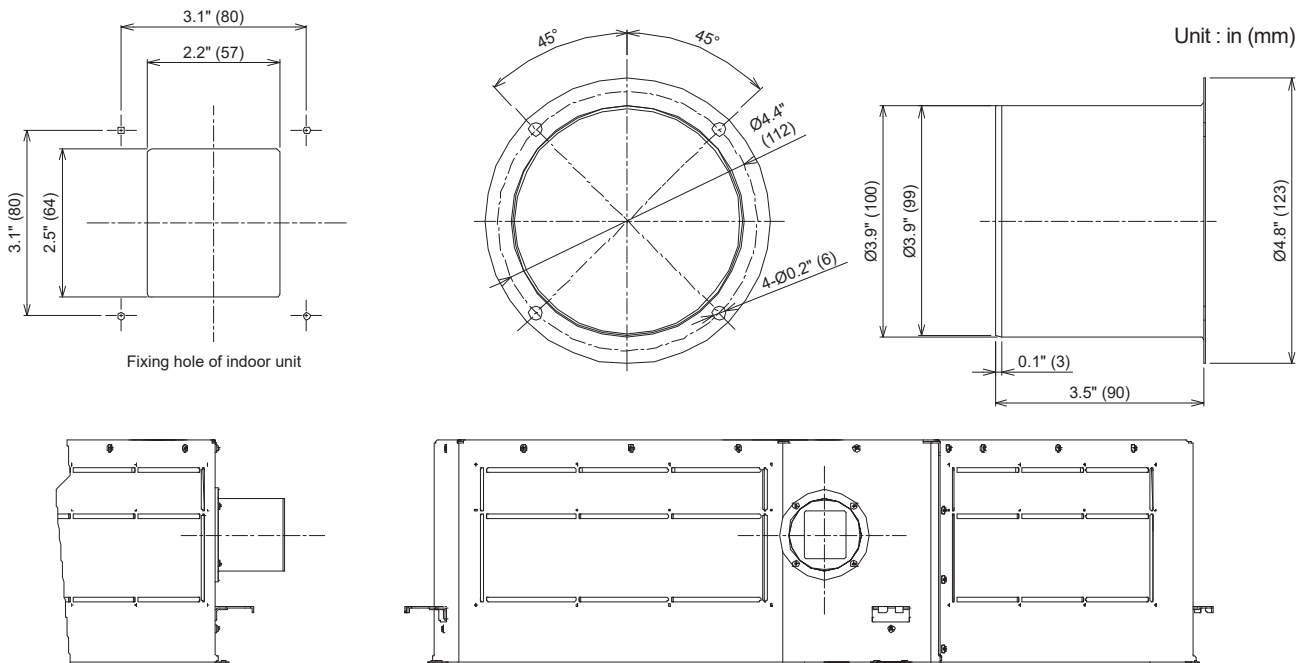
NOTE

When cutting off the styrol inside, be careful not to insert the cutter blade deeper than 1.2" (30mm). (Damage to the drain pan inside can cause water leakage.) Wear safety globes to carry out these works. Do not attempt with bare hands.

- A gap between the styrol and steel plate may cause a trouble such as condensation. Be sure to attach the attached heat insulator A first with it aligned to the screw hole, and then attach B, according to the right figure.
- Install the auxiliary fresh air flange to the indoor unit main body with attached 4 fixing screws.



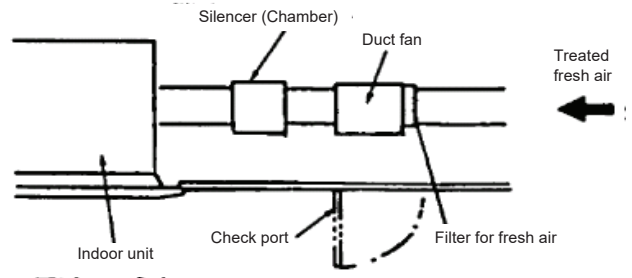
Dimension



Duct fan

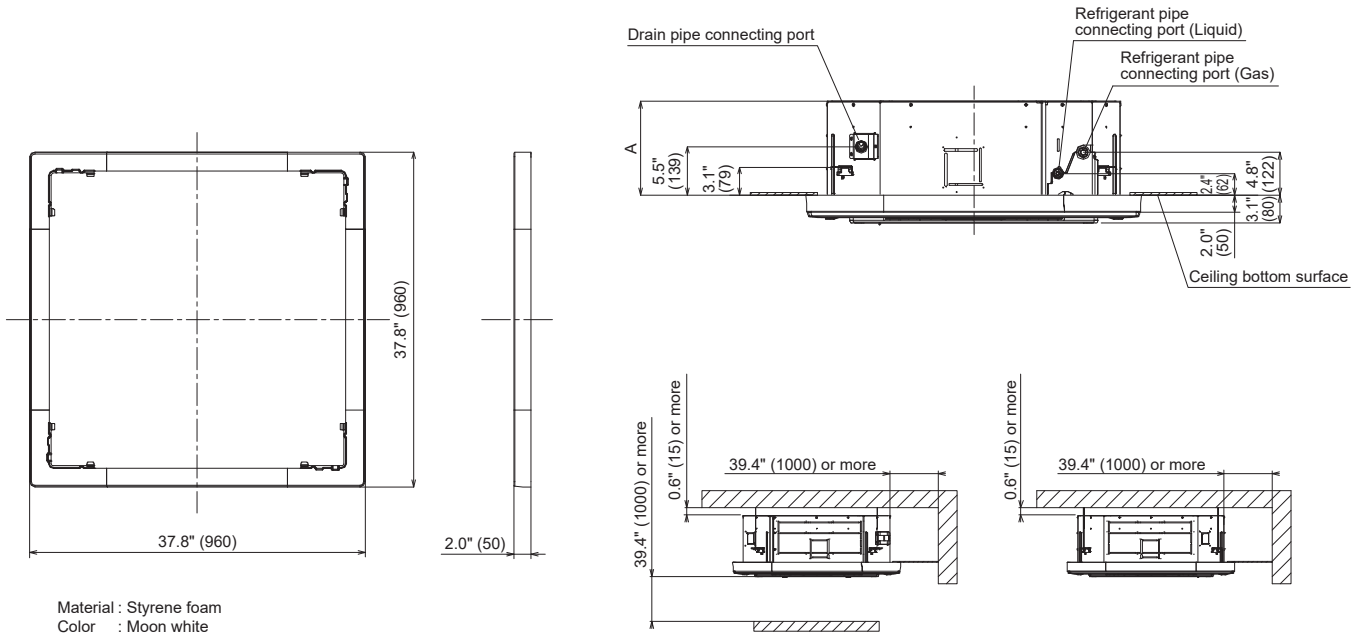
In order to take fresh air, provide the duct fan separately.

- Install the filter for fresh air
- Provide the check port beneath the duct fan for maintenance.
- Connect the duct fan and the indoor unit with interlock wiring.
- Provide the silencer to prevent the effect of noise.



5. Spacer for height adjustment (TCB-SP1602UUL)

Unit: in (mm)

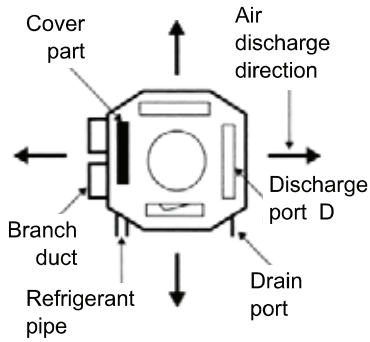


Material : Styrene foam
Color : Moon white

Space required for installation

	A
007 to 030 type	8.1" (206)
036 to 054 type	10.6" (269)

6. Air discharge direction kit (TCB-BC1602UUL)

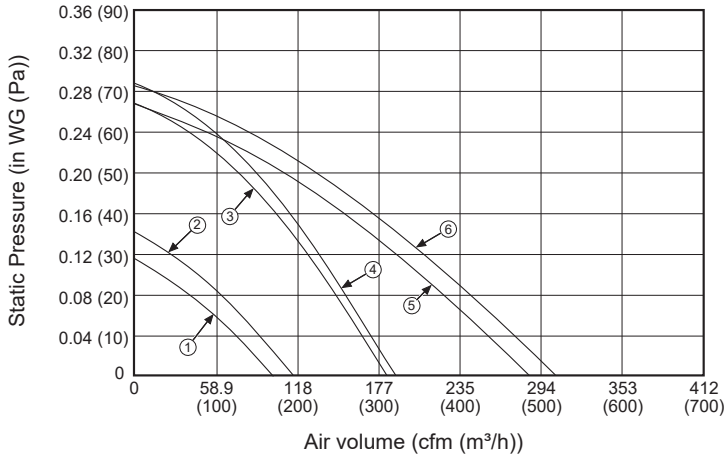


		Limited models only		
3-way air flow	<p>Wind shield C</p>	<p>Wind shield A</p>	<p>Wind shield B</p>	<p>Wind shield A</p>
	Available for all models	Available for all models	Available only for 007 to 030 type	Available only for 036 to 054 type
2-way air flow	<p>Wind shield B Wind shield A</p>	<p>Wind shield A Wind shield C</p>	<p>Wind shield B Wind shield C</p>	
	Available for all models	Available for all models	Available for all models	

7. Branching duct

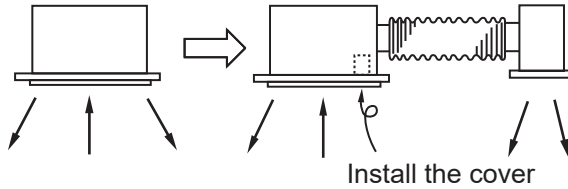
Characteristics between air volume of branching duct and static pressure

In case of connecting dia.= 5.91 inch (150 mm) branching duct, static pressure is as follows.



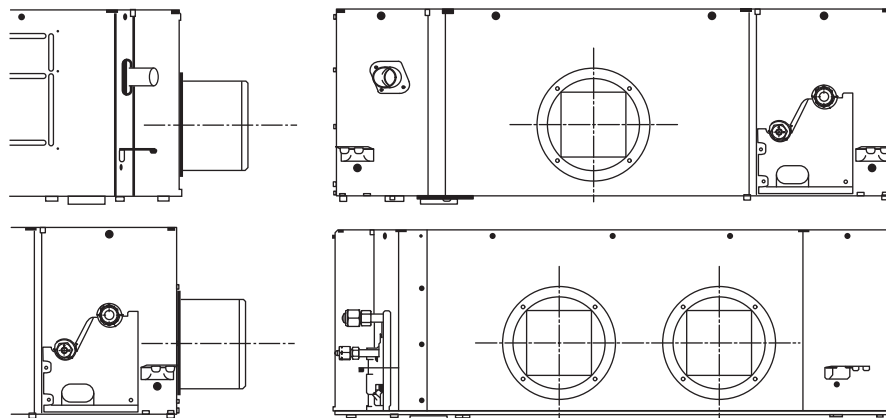
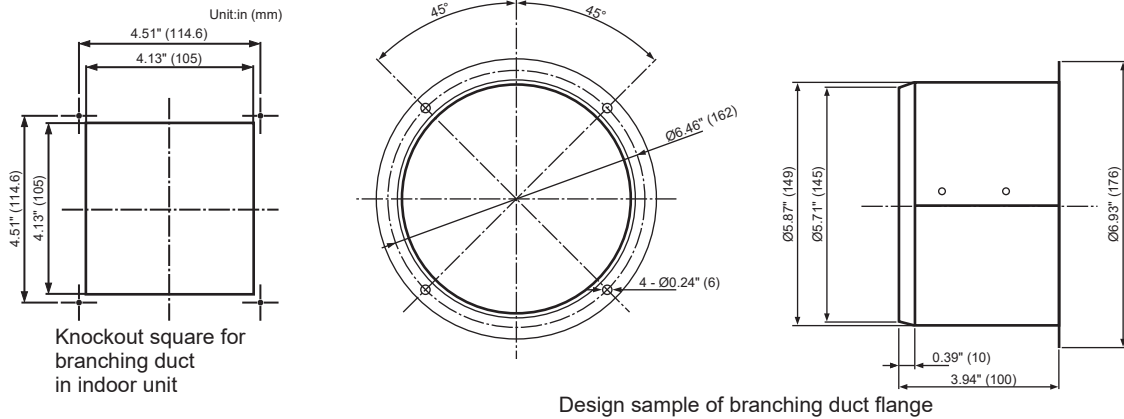
	Model
①	015, 018, 021 type : 3 directions + 1 branch
②	024, 030 type : 3 directions + 1 branch
③	036 type : 3 directions + 1 branch
④	042, 48, 54 type : 3 directions + 1 branch
⑤	036 type : 3 directions + 2 branches
⑥	042, 48, 54 type : 3 directions + 2 branches

Cover method



Use air discharge direction kit (TCB-BC1602UUL) to cover the air discharge port.

Dimension



TOSHIBA CARRIER (THAILAND) CO.,LTD.

144/9 Moo 5, Bangkadi Industrial Park, Tivanon Road, Tambol Bangkadi,
Amphur Muang, Pathumthani 12000, Thailand

Copyright © 2020 TOSHIBA CARRIER (THAILAND), All Rights Reserved

Notice : Toshiba is committed to continuously improving its products to ensure the highest quality and reliability standard, and to meet local regulations and market requirements. All features and specifications are subject to change without prior notice.
